



The Handi-Lift 6
is for curved stairs
and stairs with a landing.



DELIVERY PROGRAM





HANDI-LIFT in folded position.



HANDI-LIFT ready for use.



HANDI-LIFT in use.

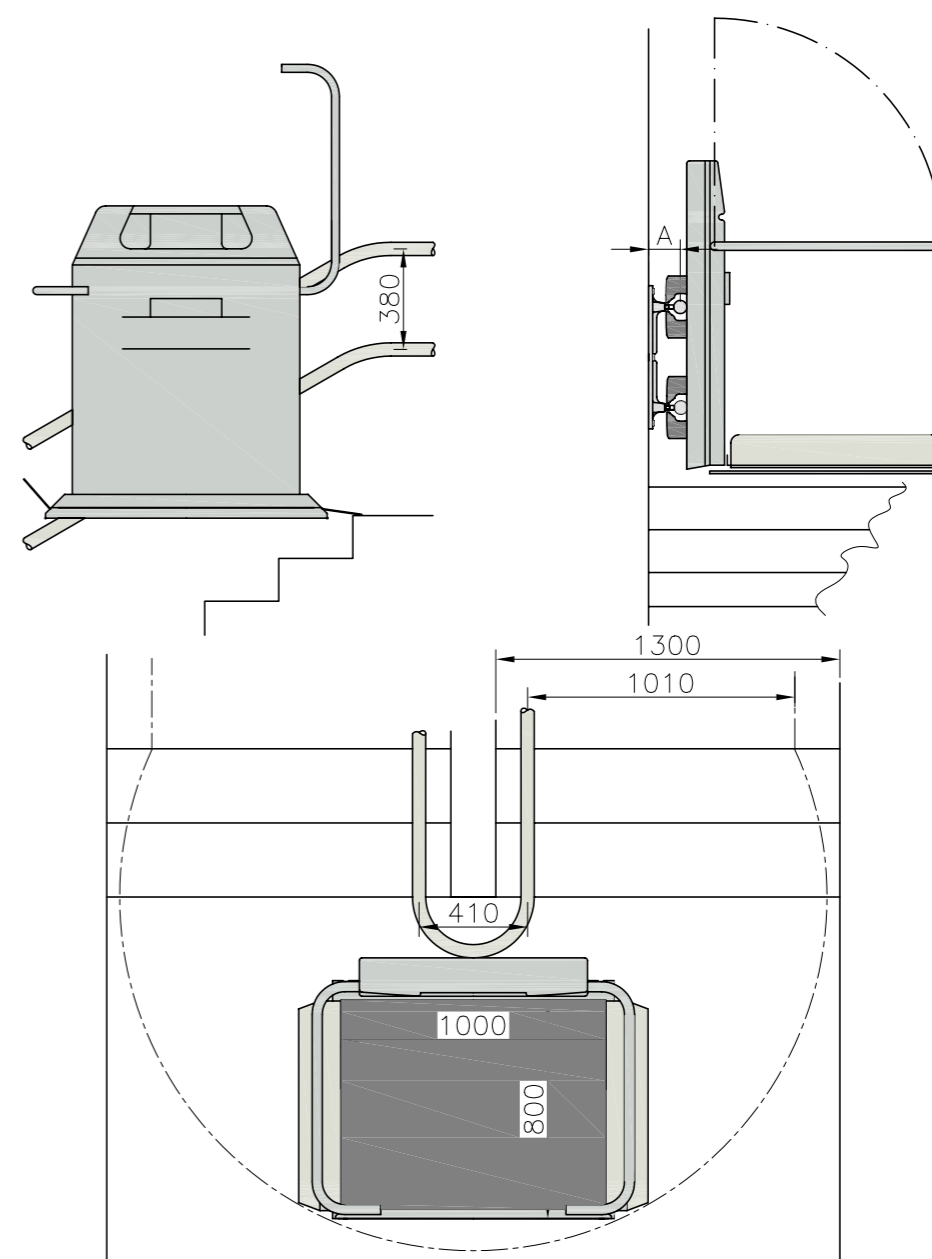
HANDI-LIFT TYPE 6

THE HANDI-LIFT is for curved stairs and stairs with a landing, and for giving a total freedom on your stair. It is individually manufactured with regards to the stair's width and length. It is designed so it will fit into all buildings without essential alterations.

- THE HANDI-LIFT has a new designed rail system in aluminium which looks like a bannister and therefore it fits easily into the existing surroundings. At the same time the lift and the rail system is designed in a way that makes them easy to reuse.
- THE HANDI-LIFT drives in the stair's inner curve and can thus turn 90 and 180 degrees and drive across a landing.
- THE HANDI-LIFT is provided with safety arms and flaps on the front and back of the platform. The platform's flaps and bearing plate have a interrupting function at jamming danger.
- THE HANDI-LIFT is battery driven so the risk for a power cut is removed and there are no ugly cables.
- THE HANDI-LIFT can be changed from right to left side in an easy and simple way and with low costs.
- It is delivered as a fully automatic lift, where platform and safety arms are operated automatically. This model can also be delivered with a remote control.
- Individual adjustments and great flexibility at sensitive surroundings. The platform measures 1000 x 800 mm, but can be adjusted to the individual stair or wheelchair.
- Optional colour within the RAL-code scale.
- Is also delivered for outdoor use.
- Please contact us for an offer for a complete lift installation.
- We reserve the right to make technical alterations.
- This lift is built in accordance with the latest European standards, and is delivered CE-marked.



EU Typeafprøvning af maskiner
Identifikationsnr. 0396
Teknologisk Institut
 Bemyndiget af Arbejdstilsynet



TECHNICAL DATA

Load:	225 kg. (300 kg)
Speed:	About 0,11 m/sec. (The speed is reduced in the curves).
Supply:	Charging point 220V AC - Lift 24V DC
Battery type:	Free of maintenance.
Comply with:	Latest European standards.

MEASUREMENTS *(All measurements are nominal)*

Rail:	Ø50 mm.
Width folded up:	350 mm.
Width folded out:	1100 mm.
Platform standard size:	1000 x 800 mm.
Platform height min.:	45 mm.

SAFETY DETAILS

- Overspeed governor and brake.
- Pressure sensitive surfaces which stops the lift when it runs into an obstacle.
- Battery driven.
- Limit switch.
- Thermal overload relay.
- Manual release mechanism.